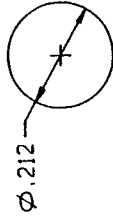
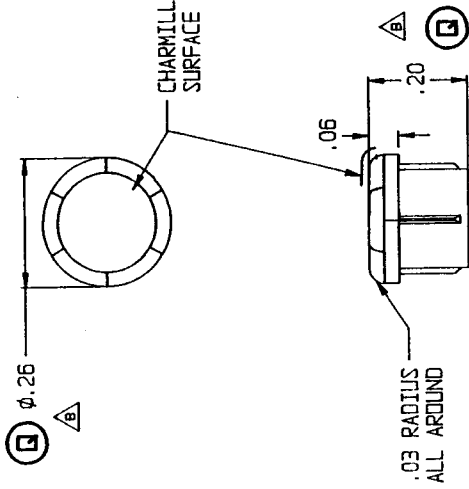


REV	ECR NO./DESCRIPTION	DATE
A	11781 NEW RELEASE	06/16/95
B	12010 PAP SALES DRAWING	08/17/95

MOUNTING HOLE PATTERN  
SCALE 4 : 1

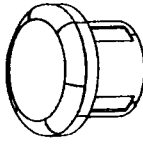


CHARMILLE # 24  
SURFACE FINISH

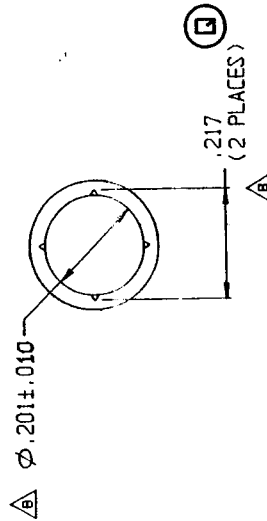


NOTES:

1. LED TYPE TBD.
2. MATERIAL: CLEAR POLYCARBONATE 94-V2.



ISOMETRIC VIEW  
FOR REFERENCE ONLY  
SCALE 4 : 1



FOR INSPECTION USE ONLY  
(X R CHARTS)

OCT 10 2000

DEST. S

PART NO.	MODEL NO. 7511A1B	TITLE	LIGHTPIPE FOR UNGERMAN-BASS
MATERIAL	SEE NOTES	INDUSTRIAL DEVICES, INC. HACKENSACK, NEW JERSEY	
FINISH:		DRAWN M. VALZANIA	SCALE: 4 : 1
TOLERANCE UNLESS OTHERWISE SPECIFIED:		CHECKED <i>[Signature]</i> 8-23-95	REV B12777 B
FRACTION	$\pm 1/64$	ENG. APPRY <i>[Signature]</i>	
INCHES	$\pm .0010$ (0.25)		
MILL	$\pm .0005$ (0.13)		
ANGLE	$\pm 1$ deg.		

THIS Dwg IS THE PROPERTY  
OF INDUSTRIAL DEVICES, INC.  
AND IS PROPRIETARY IN  
GENERAL AND IN DETAIL.  
IT SHALL NOT BE COPIED  
OR ITS CONTENTS REVEALED  
TO OUTSIDE PARTIES WITH-  
OUT THE WRITTEN CONSENT  
OF INDUSTRIAL DEVICES, INC.

DO NOT SCALE